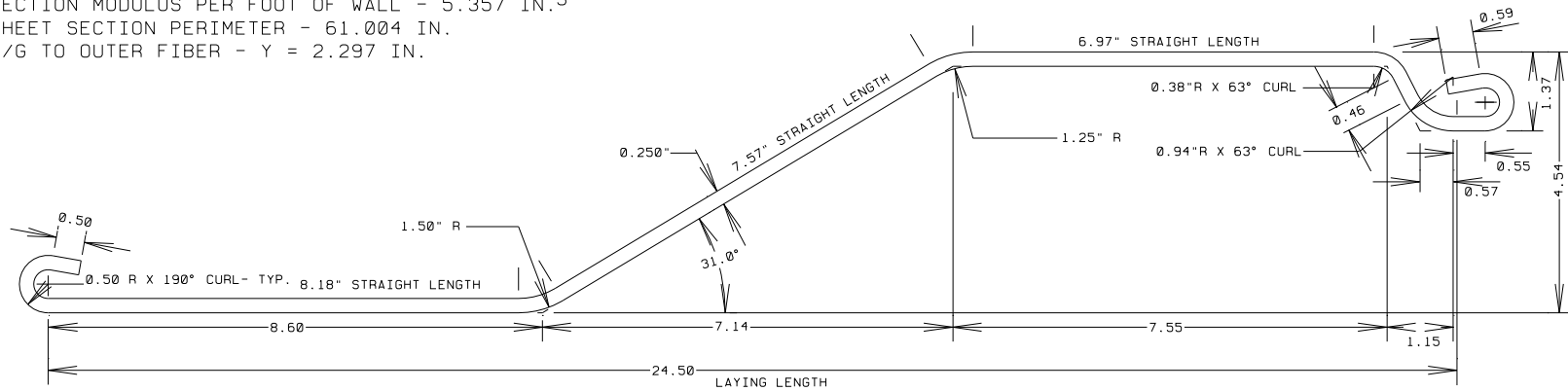


COMPUTED PROPERTIES, AS DESIGNED

AREA PER PILE - 7.556 SQ. IN.  
 AREA PER FOOT OF WALL - 3.701 SQ. IN.  
 LAYING WIDTH - 24.50 IN.  
 WEIGHT PER FOOT OF PILE - 25.712 LBS.  
 WEIGHT PER SQ. FOOT OF WALL - 12.594 LBS.  
 WALL DEPTH - 4.54 IN.  
 MATERIAL THICKNESS - 0.250 IN.  
 MOMENT OF INERTIA PER PILE - 25.123 IN.<sup>4</sup>  
 MOMENT OF INERTIA PER FOOT OF WALL - 12.305 IN.<sup>4</sup>  
 SECTION MODULUS PER PILE - 10.938 IN.<sup>3</sup>  
 SECTION MODULUS PER FOOT OF WALL - 5.357 IN.<sup>3</sup>  
 SHEET SECTION PERIMETER - 61.004 IN.  
 C/G TO OUTER FIBER - Y = 2.297 IN.



ROLL FROM 1/4" (.250") STRIP APPROX. 30.2" WIDE  
 REDESIGNED TO MATCH CURRENT SHEET PROFILE

DRAWING			LZ 250 - NEW STYLE SHEET		
PROJECT			SHORELINE STEEL SUPPLY, INC.		
SCALE	FULL SIZE	DRAWING DATE		5 DECEMBER 1994	
DRAWN BY	J.C.B.	LAST REV. DATE		28 SEPTEMBER 2007	
GENERAL MARINE SERVICE CORPORATION				94-1209	
22594 ARDMORE PARK DRIVE				DRAWING NUMBER	
ST. CLAIR SHORES, MI 48081-2011				586-777-0945	