

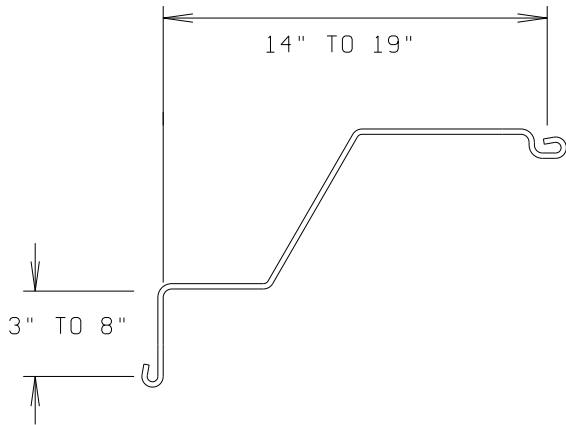
SHORELINE STEEL, INC.

58059 MAIN ~ P.O. BOX 480519 ~ NEW HAVEN, MICHIGAN 48048
586-749-9559 ~ 800-522-9550 ~ FAX- 586-749-6653

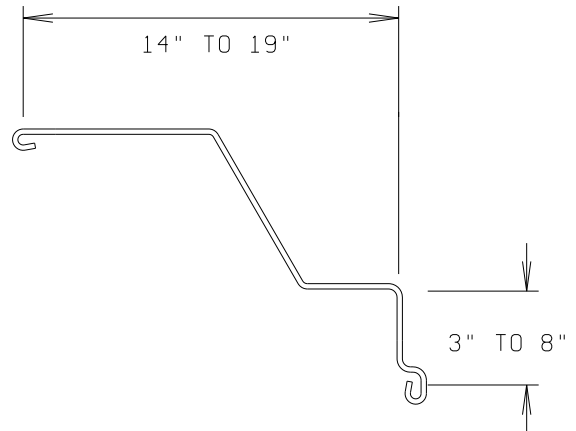
LIGHTWEIGHT-SZ CORNERS AVAILABLE

CORNER DETAILS FOR SZ-10, SZ-11, SZ-12, SZ-14, SZ-15

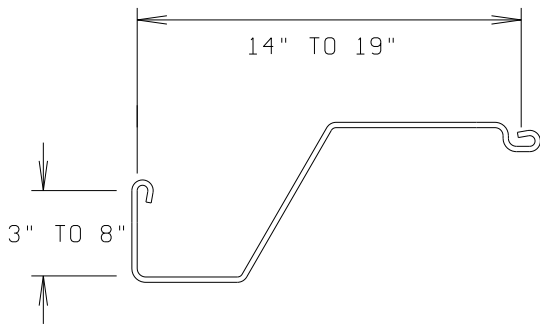
OUTSIDE-SIMPLE LOCK
UP TO 90° BEND



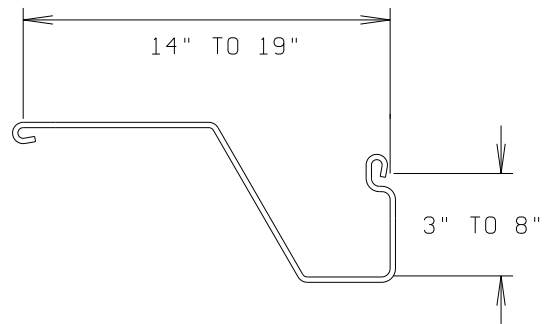
OUTSIDE-COMPLICATED LOCK
UP TO 90° BEND



INSIDE-SIMPLE LOCK
UP TO 90° BEND



INSIDE-COMPLICATED LOCK
UP TO 90° BEND



ALL LIGHTWEIGHT-SZ PILING SECTIONS CAN BE BENT TO MAKE OUTSIDE CORNERS OR INSIDE CORNERS ON EITHER LOCK LEG. CORNERS CAN BE LOCATED ANYWHERE BETWEEN 3 AND 8 INCHES FROM THE CENTERLINE OF THE LOCK.
ALL CORNERS CAN BE BENT TO ANY ANGLE UP TO 90°.