

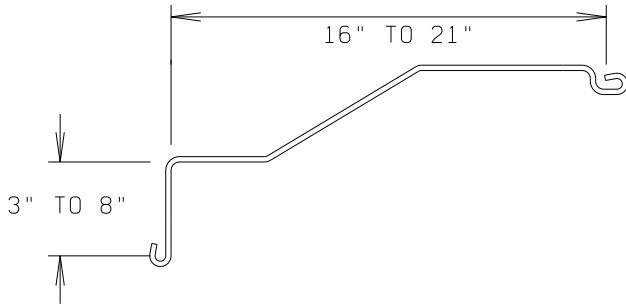
SHORELINE STEEL, INC.

58059 MAIN ~ P.O. BOX 480519 ~ NEW HAVEN, MICHIGAN 48048
586-749-9559 ~ 800-522-9550 ~ FAX- 586-749-6653

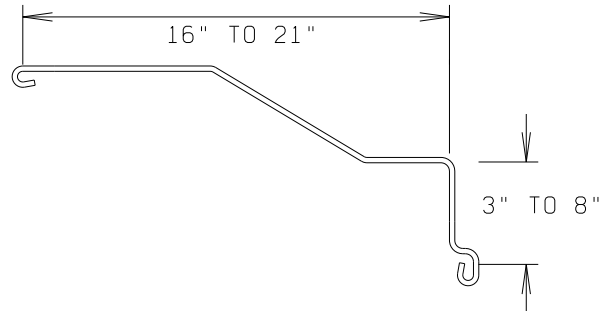
LIGHTWEIGHT ZEE-LZ CORNERS AVAILABLE

CORNER DETAILS FOR LZ-8, LZ-7, LZ-5, LZ-3, LZ-250

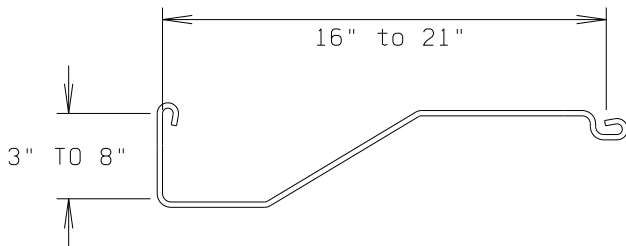
OUTSIDE-SIMPLE LOCK
UP TO 90° BEND



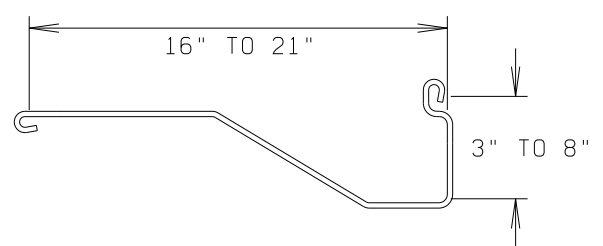
OUTSIDE-COMPLICATED LOCK
UP TO 90° BEND



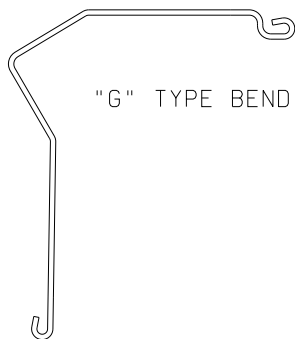
INSIDE-SIMPLE LOCK
UP TO 90° BEND



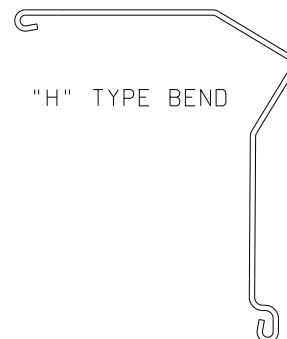
INSIDE-COMPLICATED LOCK
UP TO 90° BEND



CENTER OF WEB
UP TO 90° BEND



CENTER OF WEB
UP TO 90° BEND



ALL LIGHTWEIGHT ZEE PILING SECTIONS CAN BE BENT TO MAKE OUTSIDE CORNERS OR INSIDE CORNERS ON EITHER LOCK LEG, OR CENTER-OF-WEB CORNERS. LOCK LEG CORNERS CAN BE LOCATED ANYWHERE BETWEEN 3 AND 8 INCHES FROM THE CENTERLINE OF THE LOCK. CORNERS IN THE WEB AREA MUST BE LOCATED AT THE CENTER OF THE WEB. ALL CORNERS CAN BE BENT TO ANY ANGLE UP TO 90°.